

(MARINE) GEARBOXES

Meclev chock selection for (Marine) Gearboxes

Shipyard / Customer
 Shipname / Project
 Classification society
 Object
 Make / type

Gearbox

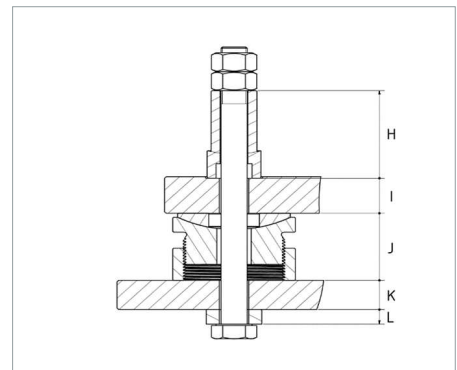
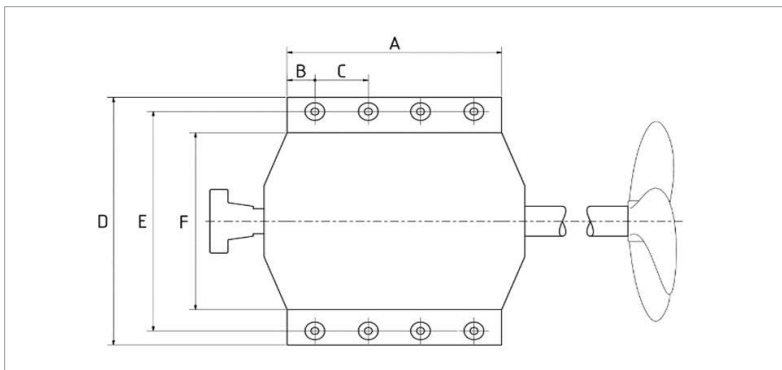
Mass
 Power
 Revolutions
 Foundation bolthole diameter
 Fitted bolthole diameter
 Reduction rate
 Average distance of boltholes
 Dist. between centre line of shaft and top plate mm
 Propulsion efficiency

	Kg
	kW
	rpm
	mm
	mm
	mm
	mm
	mm
	N/kW

Top View of engine

Total length of gearbox **A**
 Location first hole (seen from flex. coupling) **B**
 Pitch between other holes (on one side) **C**
 Total width of gearbox **D**
 Pitch of boltholes (left to right) **E**
 Foundation width (inside) **F**

	mm
	mm
	mm
	mm
	mm
	mm



Cross section of mounting detail

Top sleeve length **H**
 Bed plate thickness **I**
 Chock height **J**
 Top plate thickness **K**
 Bottom sleeve length **L**

	mm
	mm
	mm
	mm
	mm

Remarks