

GENERATOR, E-MOTOR, PUMP, ETC

Meclev chock selection for Generator, E-motor, Pump, Etc

Shipyard / Customer
 Shipname / Project
 Classification society
 Object
 Make / type

Generator

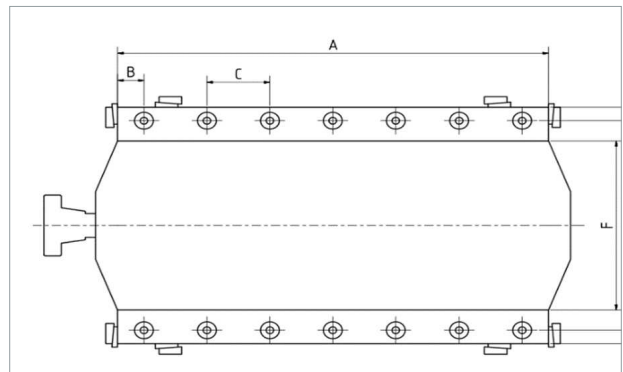
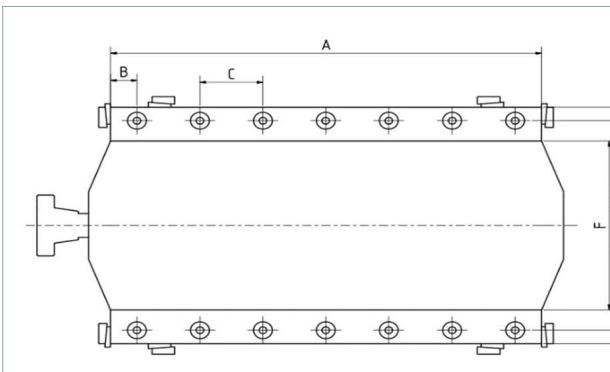
Mass
 Power
 Revolutions
 Number of elements
 Foundation bolthole diameter
 Fitted bolthole diameter

	Kg
	kW
	rpm
	mm
	mm

Top View of generator

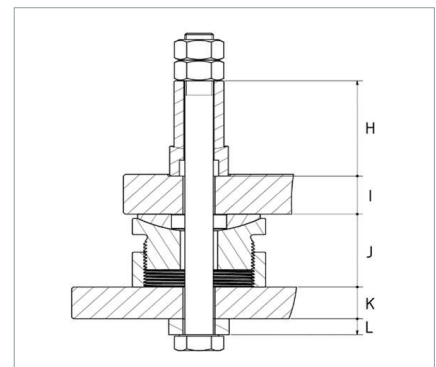
Total length of component
 Location first hole (seen from flex. coupling)
 Pitch between other holes
 Total width of component
 Pitch of boltholes (left to right)
 Foundation width
 Foot lenght

A		mm
B		mm
C		mm
D		mm
E		mm
F		mm
G		mm



Cross section of mounting detail

Top sleeve length	H		mm
Bed plate thickness	I		mm
Chock height	J		mm
Top plate thickness	K		mm
Bottom sleeve length	L		mm



Remarks