

MECLEV[®] SPHERICAL EXTENSION SLEEVES



The MecLev[®] Spherical Extension Sleeves (SES) is a bush combined with a spherical washer on one end, that assures 100% nut pull on critical bolt and stud assemblies. The SW elements are designed in order to combine the functionality of creating extra stretch length to bolted connections, as well as correcting angular misalignment between bolted planes up to 4°.

All Spherical Extension Sleeves have a standard length of 60mm, but alternative lengths are available on request.

USE & BENEFITS

The contact area of the convex/concave surfaces is complete, meaning that no line contact between the rings is produced (possible break out of the concave ring), which guarantees a maximum transmission of the applied force.

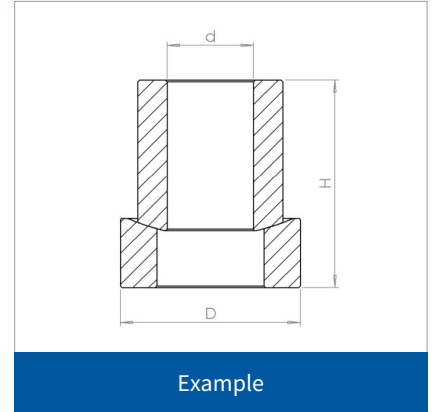
The special design of the convex/concave part guarantees 100% force transmission, which means that the bolts full tightening torque can be applied, and therefore zero clamping force reduction is required! The use of Spherical Extension Sleeves avoids the need for (on-site) machining (spot-facing) of the plane parallel to the top plate.

FEATURES & PROPERTIES

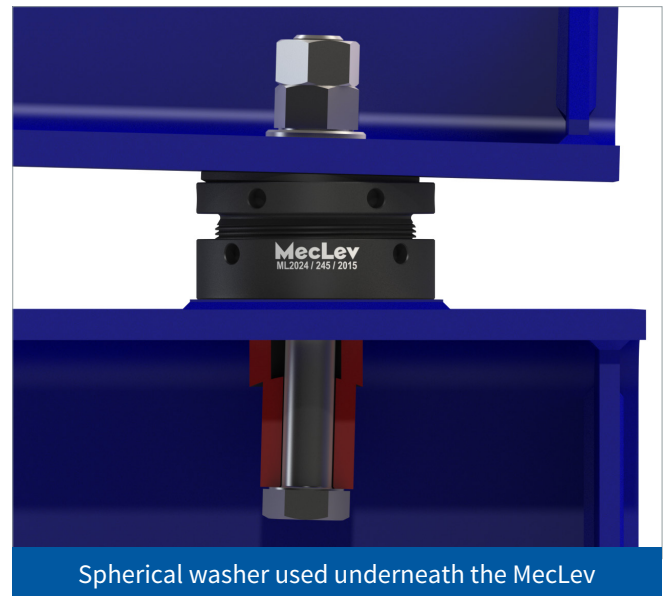
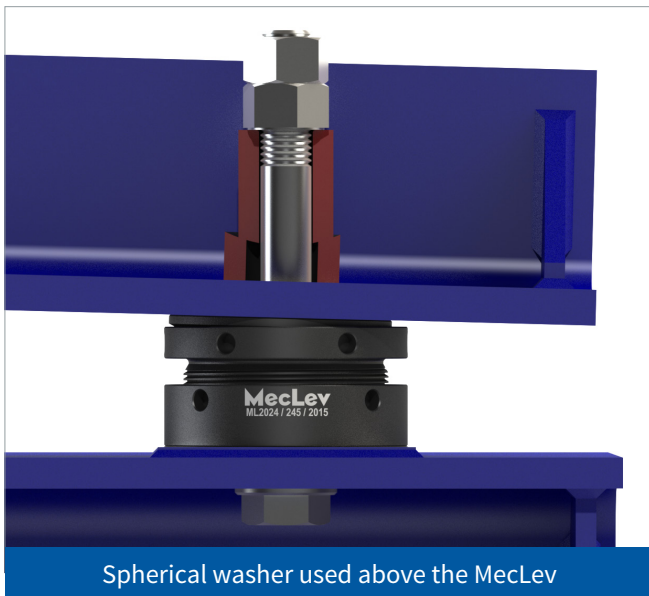
- 100% force transmission, therefore no reduced torque is required.
- M16, M20, M24, M30, M33, M36 standard in stock, others available on request.
- Standard height 60mm, alternative lengths available on request.
- Material 42CrMo4.
- Angular correction up to 4°.

SELECTING YOUR SPHERICAL EXTENSION SLEEVES

Size	Outside diameter bottom washer (D)	Inside diameter top bush (d)	Height (H)	Weight
	mm	mm	mm	Kg
SES-16	36	17	60	0,23
SES-18	45	19	60	0,37
SES-20	45	21	60	0,33
SES-22	52	23	60	0,41
SES-24	52	25	60	0,41
SES-27	65	28	60	0,49
SES-30	65	31	60	0,49
SES-33	79	34	60	0,59
SES-36	79	37	60	0,59



i WHEN NONE OF THE SIZES SUITS YOUR APPLICATION, PLEASE CONTACT MECLEV® FOR A TAILOR MADE SOLUTION!



COOPERATING PARTNERS



MORE DETAILED INFORMATION AND MOUNTING INSTRUCTIONS?

Please visit our website www.meclev.com or contact your local MecLev® dealer!